

## 3M HIGHLAND™ 987 ATG TAPE



Two-sided economy adhesive tape. Permanent mounting for photos, mats, foamboards, artwork and similar items.

1" Core 3M #987

Item	Description	Price Ea.	12@	48@	72@	96@	144@
555*	<input checked="" type="checkbox"/> 1/2" x 36 yard roll						
556*	<input checked="" type="checkbox"/> 3/4" x 36 yard roll						
* Can be used in Decor #320 ATG Gun or Decor #585 & #586 3M Guns							
331**	<input checked="" type="checkbox"/> 1/2" x 60 yard roll						
332**	<input checked="" type="checkbox"/> 3/4" x 60 yard roll						

\*\* Must use Decor #586 3M Gun

## 3M 924 ATG TAPE



This 2 mil **premium adhesive** tape is used for permanent mounting of photos, artwork, mats foamboard and similar materials. Liner is automatically removed when used with ATG dispensers.

1" Core 3M #924

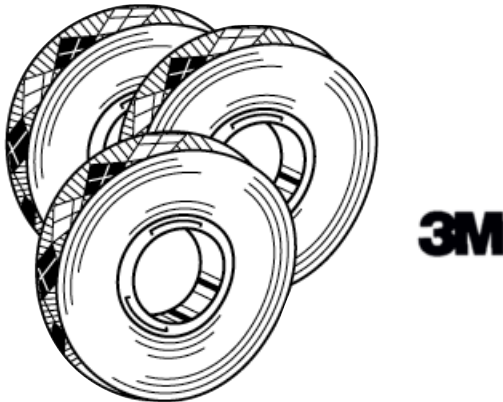
No.	Description	Price Ea.	12 @	48 @	72 @	144 @
552*	<input checked="" type="checkbox"/> 1/4" x 36 yd roll	-				
553**	<input checked="" type="checkbox"/> 1/2" x 36 yd roll					
554**	<input checked="" type="checkbox"/> 3/4" x 36 yd roll					
588***	<input checked="" type="checkbox"/> 1/2" x 60 yd roll					
589***	<input checked="" type="checkbox"/> 3/4" x 60 yd roll					

\* Can be used in 3M ATG 714 Gun Decor #699 or with 1/4" adaptor #587 in #586 gun.

\*\* Can be used in Decor ATG Gun #320 or 3M Guns Decor #585 & 586

\*\*\* Must be used in 3M Gun Decor #586

## SCOTCH™ HI-TAC ATG TAPE



Permanent, heavy-duty strength you can rely on, in a 5 mil tape. Very-high initial adhesion makes it ideal for joining mat boards, for double mats along with bonding irregular surfaces.

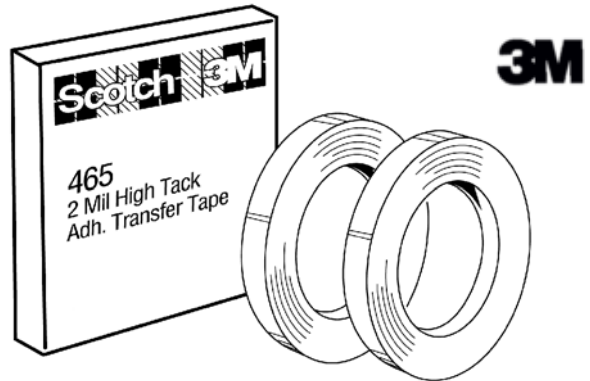
1" Core 3M #969

No.	Description	Price Ea.	12 @	48 @	72 @
557*	<input checked="" type="checkbox"/> 1/2" x 18 yd roll				
558**	<input checked="" type="checkbox"/> 3/4" x 18 yd roll				
559**	<input checked="" type="checkbox"/> 1/2" x 36 yd roll				
560***	<input checked="" type="checkbox"/> 3/4" x 36 yd roll				

\* Can Be Used in Decor 320 ATG Gun or Decor 585 and 586 3M Gun

\*\* Must use Decor #586 3M Gun

## 3M HAND HELD ATG TAPE



Tape that allows adhesive to transfer from liner to most smooth surfaces. Wound in Reverse. Liner is hand removable. Same adhesive as used in 924 tape. 2 mil thick.

3" Core 3M #465.

Will not fit ATG Gun

Item	Description	Price Ea.	12@	48@	72@	96@	144@
561	<input checked="" type="checkbox"/> 1/4" x 60 yard roll						
562	<input checked="" type="checkbox"/> 3/8" x 60 yard roll						
563	<input checked="" type="checkbox"/> 1/2" x 60 yard roll						
564	<input checked="" type="checkbox"/> 3/4" x 60 yard roll						

See back cover for details