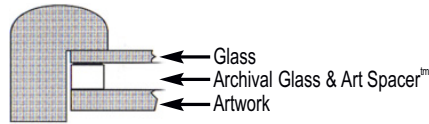
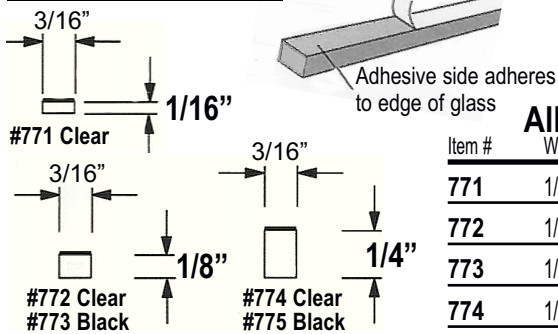


**DECOR ARCHIVAL GLASS & ART SPACERS™**

**SOLID SPACERS**

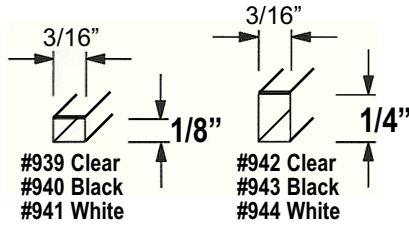


**MIX 'N MATCH SPACERS for Quantity Discounts**

**All DECOR Spacers™ ship UPS**

Item #	Width	Color	Type	Bundle Desc.	Length	1 Bundle	2 Bundles	4 Bundles	10 Bundles
771	1/16"	Clear	Solid	20 x 5' sticks	100'				
772	1/8"	Clear	Solid	20 x 5' sticks	100'				
773	1/8"	Black	Solid	20 x 5' sticks	100'				
774	1/4"	Clear	Solid	12 x 5' sticks	60'				
775	1/4"	Black	Solid	12 x 5' sticks	60'				
939	1/8"	Clear	Hollow	20 x 5' sticks	100'				
940	1/8"	Black	Hollow	20 x 5' sticks	100'				
941	1/8"	White	Hollow	20 x 5' sticks	100'				
942	1/4"	Clear	Hollow	12 x 5' sticks	60'				
943	1/4"	Black	Hollow	12 x 5' sticks	60'				
944	1/4"	White	Hollow	12 x 5' sticks	60'				

**HOLLOW SPACERS**



**DECOR Archival Glass & Art Spacers™ can be stacked to achieve the space you require.**

**Specifications:** pH Neutral peel-'n-stick spacers. Available in clear, black and white (all sides uniformly finished to avoid mismatched sides). Solid construction for maximum rigidity and easy cutting ability using common shop tools such as cutting sheers, fillet trimmers and foot choppers. Easy and quick to install for metal or wood frames with glass or plexi. Aggressive double-sided tape adhesive for secure bonding.

**Uses:** DECOR Archival Glass & Art Spacers™ are ideal for a variety of professional picture framing applications.

- All archival applications involving glazing should incorporate Archival Glass & Art Spacers™ to keep the artwork or print away

from the glass or acrylic to avoid image transfer and condensation damage.

- Photographs are particularly susceptible to humidity damage resulting from contact with glazing surfaces.
- Pencil, pastels, charcoals and even a child's crayon masterpiece should not contact a glazing surface as all dry mediums are very subject to image transfer.
- Textured mats, fillets, fabric wraps, needlework and float mounting would be flattened or distorted if not separated from the glass.

**PICTURE POSTER HANGERS**



Stainless steel hinged prong hanger for hanging pictures, posters, etc. that are mounted on foam core or mat board. Can be used with any board as thin as 3/16" without penetrating to the front of the board. Simple-to-use: just push into the board, when flush, push in center prong and it will lock.

Item	Qty	Price
1371	20	
1371H	100	

**BALSA WOOD SPACERS**



Natural light weight wood strips made of balsa. Used for spacing between glass and mat board. Can be painted or stained. Set with pins or glue. Available in 36" lengths. Ships UPS. Packed in bundles of 25 sticks.

Item	Size	Price	4 bundles
1400	1/8" x 1/8"		
1401	1/8" x 3/16"		
1402	1/4" x 1/4"		