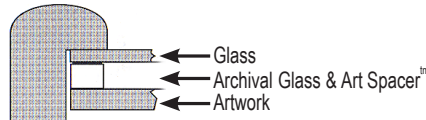
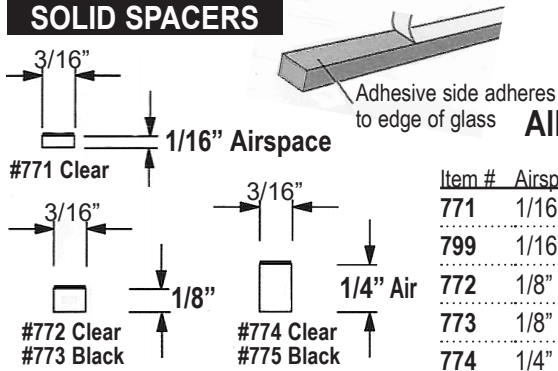


**SOLID SPACERS**

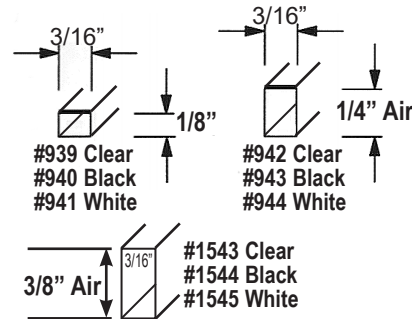


**MIX 'N MATCH SPACERS for Quantity Discounts**

SAVE 5% SAVE 10% SAVE 35%

All DECOR Spacers™ ship UPS

**HOLLOW SPACERS**



Item #	Airspace	Color	Type	Bundle Desc.	Length	1 Bundle	2 Bundles	4 Bundles	10 Bundles
771	1/16"	Clear	Solid	20 x 5' sticks	100'				
799	1/16"	Black	Solid	20 x 5' sticks	100'				
772	1/8"	Clear	Solid	20 x 5' sticks	100'				
773	1/8"	Black	Solid	20 x 5' sticks	100'				
774	1/4"	Clear	Solid	12 x 5' sticks	60'				
775	1/4"	Black	Solid	12 x 5' sticks	60'				
939	1/8"	Clear	Hollow	20 x 5' sticks	100'				
940	1/8"	Black	Hollow	20 x 5' sticks	100'				
941	1/8"	White	Hollow	20 x 5' sticks	100'				
942	1/4"	Clear	Hollow	12 x 5' sticks	60'				
943	1/4"	Black	Hollow	12 x 5' sticks	60'				
944	1/4"	White	Hollow	12 x 5' sticks	60'				
1543	3/8"	Clear	Hollow	12 x 5' sticks	60'				
1544	3/8"	Black	Hollow	12 x 5' sticks	60'				
1545	3/8"	White	Hollow	12 x 5' sticks	60'				

**Specifications:** pH Neutral peel-'n-stick spacers. Available in clear, black and white (all sides uniformly finished to avoid mismatched sides). Cuts easily using common shop tools such as cutting sheers, fillet trimmers and foot choppers. Easy and quick to install for metal or wood frames with glass or plexi. Aggressive double-sided tape adhesive for secure bonding.

**Uses:** DECOR Archival Glass & Art Spacers™ are ideal for a variety of professional picture framing applications.

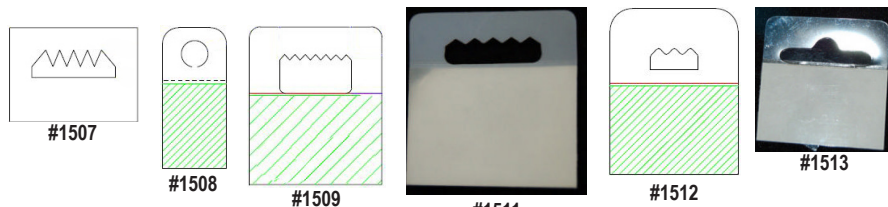
- All archival applications involving glazing should incorporate Archival Glass & Art Spacers™ to keep the artwork or print away from the glass or acrylic to avoid image transfer and

condensation damage.

- Photographs are particularly susceptible to humidity damage resulting from contact with glazing surfaces.
- Pencil, pastels, charcoals and even a child's crayon masterpiece should not contact a glazing surface as all dry mediums are very subject to image transfer.
- Textured mats, fillets, fabric wraps, needlework and float mounting would be flattened or distorted if not separated from the glass.
- Can be stacked to achieve the space you require.

**PRESSURE SENSITIVE ADHESIVE HANGERS**

Slot hang tabs are ideal for both single- and double-wire peg hooks. Slot hang tabs allow you to display your product vertically, face-forward, anywhere in the store. Display more in less space. Your products will self-center and load easily.



Item	Size / Description	Not shown actual size	
		100/pkg 1 Pkg.	1,000/pkg 1 Pkg.
1507	1-1/16HX 1-7/16W Sawtooth: Staple or Glue on		1507T
1508	1-21/32H X 3/4W Circle: Pressure Sensitive		1508T
1509	1-25/32H X 1-1/2W Sawtooth: Pressure Sensitive		1509T
1510	2-7/8HX 1-7/16W Sawtooth: Pressure Sensitive		1510T
1511	2-1/32H X 2W Sawtooth: Pressure Sensitive		1511T
1512	1-7/8H X 1-7/16W Sawtooth: Pressure Sensitive		1512T
1513	1-21/32HX 1-5/8W Oblong Hole: Pressure Sensitive		1513T
1514	1-21/32HX 1-5/8W Oblong Triangle Top: Pressure Sensitive		1514T



**BALSA WOOD SPACERS**



Natural light weight wood strips made of balsa. Used for spacing between glass and mat board. Can be painted or stained. Set with pins or glue. Available in 36" lengths. Ships UPS. Packed in bundles of 25 sticks.

Item	Size	Price	4 bundles
1400	1/8" x 1/8"	\$16.09	
1401	1/8" x 3/16"	\$18.30	
1402	1/4" x 1/4"	\$32.16	

See back cover for details Eff. 7/1/22