

FLETCHER 2200 Matboard / Foamboard Cutters

These manual Fletcher cutter systems create bevels and produced V-Grooves with ease in 4-ply matboards and cut straight lines up to 1/2".



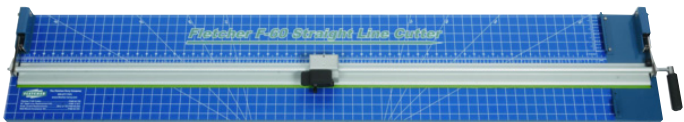
Includes:

- 1 2200 Mat Cutter
- 1 Sight Guide Gage
- 2 Squaring Blocks
- 10 Blades #F05012
- 10 Blades #F05004



| Item # | Description | Price |
|--------|---|-------|
| F04681 | F2200 48" Mat Cut System | |
| F04682 | F2200 60" Mat Cut System | |
| F04622 | F2200 Measuring Stops | |
| F04630 | F2200 Right Squaring Extension | |
| F04631 | F2200 Mat Clamp Lifters - set of 2 | |
| F05004 | Fletcher brand Utility/Rail Cutting Blades .017 100/box | |
| F05012 | Fletcher brand Mat Blades .012 100/box | |
| F05015 | Fletcher brand Mat Blades .015 100/box | |
| F05016 | Fletcher brand Mat Blades Single Edge .015 100/box | |
| F12045 | Fletcher F2200 Repair Kit: springs, bushings, bearings, strap | |

F-60 Semi-Rigid / Flexible Cutter 60"



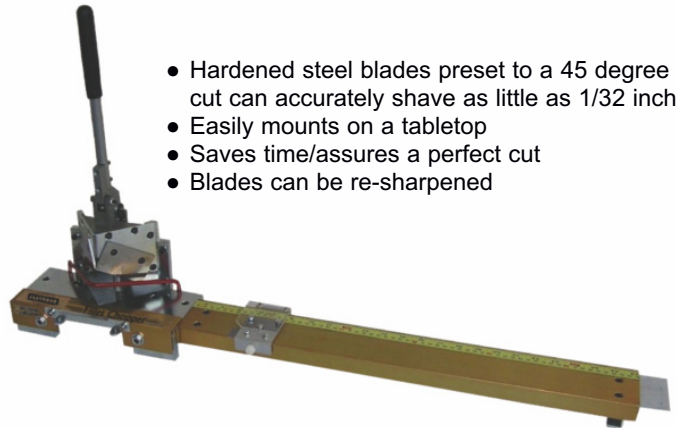
Capable of cutting foamboard (up to 1/2"), cardboard, corrugated plastic (up to 6mm), PVC (up to 3mm), canvas, vinyl, banner materials and laminated art digital prints. Features a plastic knife cartridge that allows quick-and-safe blade changes and locking pressure clamp for tightly securing your material.



#F05235

| Item # | Description | Price |
|--------|--------------------------------|-------|
| F04722 | F-60 Substrate Cutter 60" | |
| F05235 | F-60 Replacement Blades 10/box | |

FLETCHER Fillet Chopper



- Hardened steel blades preset to a 45 degree cut can accurately shave as little as 1/32 inch
- Easily mounts on a tabletop
- Saves time/assures a perfect cut
- Blades can be re-sharpened

| Item # | Description | Price |
|--------|--|-------|
| F04900 | Fillet Chopper | |
| F05700 | Fillet Chopper-replacement blades: set of 2 | |
| R85 | Fillet Chopper resharpening service for pair | |

FLETCHER Oval/Circle Glass Cutter



Suction cup keeps the cutter to the glass securely, allowing you to score oval and circles on flat and stained glass. A scale lets you set accurate measurements with a turn of a knob. Able to adjust offset setting for ovals from 4 1/2" - 24" and offset circles up to 21" in diameter. Uses a 134° tungsten carbide wheel.

| Item # | Description | Price |
|--------|-------------------------------------|-------|
| F05221 | Oval/Circle Glass Cutter | |
| F03129 | Carbide replacement wheel unit 134° | |