

FLETCHER 3000 Multi-Material Cutters

The 3000 Wall Machine features a 3-position cutting turret that contains a glass cutting wheel unit, plastic scoring blade for acrylic materials, and mat/foam board cutting blade mounted in their respective positions on the turret for quick changeover from one material to another. A ramping feature allows the lifting of scoring wheel on top edge of glass resulting in a cleaner edge break when scoring glass. Handles material sheets up to 60" high (1.52m). Mounts on wall or freestanding installation.

Includes:

- 1 ea 3000 unit
(Main frame assembled, requires right support assembly by customer)
- 10 ea #F05001
Mat/Foamboard Blades
- 10 ea #F05712
Plastic Scoring Blades
- 10 ea #F02120
Glass Wheel Units

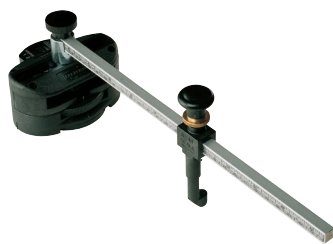
Substrate Cutting Capabilities

Glass & Mirror	Up to 1/4" (6mm)
Plastics & Acrylic	Up to 1/4" (6mm)
Cardboard	Up to 1/4"
Foamboard	Up to 1/4" (6mm)



Item #	Description	Price
F04711	F3000 48" Glass / Mat / Acrylic Cut System	
F04712	F3000 60" Glass / Mat / Acrylic Cut System	
F04101	F3000 / F3100 Mounting Stand	
F04112	F3000 Measuring Stop (recommended to buy w/unit)	
F05001	<input checked="" type="checkbox"/> M3000 Mat/Foamboard Blades 10 / tube	
F05003	<input checked="" type="checkbox"/> M3000 Mat/Foamboard Blades 100 / box	

FLETCHER Oval/Circle Glass Cutter



Suction cup keeps the cutter to the glass securely, allowing you to score oval and circles on flat and stained glass. A scale lets you set accurate measurements with a turn of a knob. Able to adjust offset setting for ovals from 4 1/2" - 24" and offset circles up to 21" in diameter. Uses a 134° tungsten carbide wheel.

Item #	Description	Price
F05221	Oval/Circle Glass Cutter	

FLETCHER 3100 Multi-Material Cutters

Versatile Wall Cutter designed with an interchangeable cutting head platform that uses multiple cutting blades, scoring tips and cutting wheel holders for cutting and scoring a large variety of materials. Handles material sheets up to 63" high (1.6m) and features an acrylic breakout function.

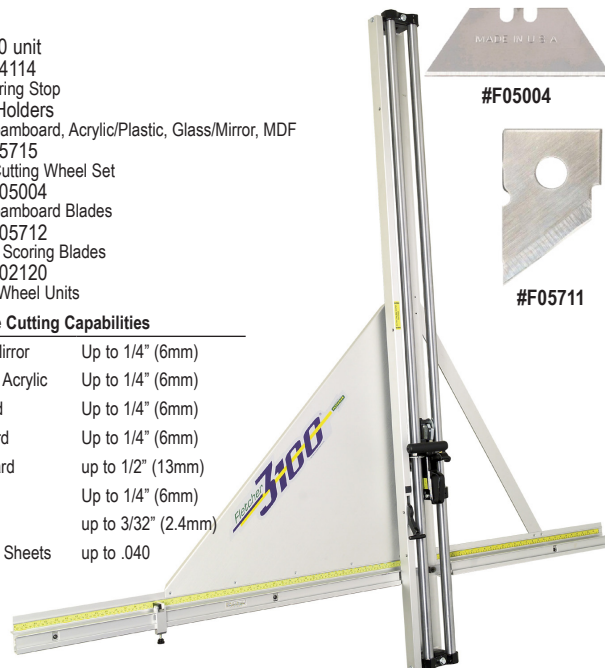
Mounts on wall or freestanding installation.

Includes:

- 1 ea 3100 unit
- 1 ea #F04114
Measuring Stop
- 4 Blade Holders
Mat/Foamboard, Acrylic/Plastic, Glass/Mirror, MDF
- 1 ea #F05715
MDF Cutting Wheel Set
- 10 ea #F05004
Mat/Foamboard Blades
- 10 ea #F05712
Plastic Scoring Blades
- 10 ea #F02120
Glass Wheel Units

Substrate Cutting Capabilities

Glass & Mirror	Up to 1/4" (6mm)
Plastics & Acrylic	Up to 1/4" (6mm)
Cardboard	Up to 1/4" (6mm)
Foamboard	Up to 1/4" (6mm)
Gator Board	up to 1/2" (13mm)
PVC	Up to 1/4" (6mm)
MDF	up to 3/32" (2.4mm)
Aluminum Sheets	up to .040



Interchangeable Cutting Head Technology
Cuts clean, debris-free, no secondary processing
Mounts on wall or free-standing
Cuts wide range of substrates

Item #	Description	Price
F04715	F3100 63" Glass / Mat / Acrylic Cut System	
F04101	F3000 / F3100 Mounting Stand	
F04114	F3100 Measuring Stop	
F05004	<input checked="" type="checkbox"/> Utility / Rail Cutting Blades 100 / box	
F05711	<input checked="" type="checkbox"/> M81 PVC Cutting Blades 10 / tube	
F12211	<input checked="" type="checkbox"/> Gatorboard Cutting Blade Holder	
F12213	<input checked="" type="checkbox"/> Acrylic/Plastic Cutting Blade Holder	
F12225	<input checked="" type="checkbox"/> PVC Double Blade Holder	

Accessories for Fletcher 3000 & 3100 Systems



#F02120
Steel Glass Wheel



#F05712
Acrylic Scoring Blade



#F03126
Carbide Glass Wheel

Item #	Description	Price
F02120	<input checked="" type="checkbox"/> Steel Glass 120° Cutting Wheel 10 / tube	
F03126	<input checked="" type="checkbox"/> Carbide Glass Cutting Wheel 1 / pkg	
F05712	<input checked="" type="checkbox"/> Acrylic Scoring Blades 10 / tube	